

# V1 Side Entry Robot



Safety and Speed

**VETEC**

# W1 Side Entry Robot

## Features

### High Speed

Driven by AC servo motor with double speed construction design.

### High Precision

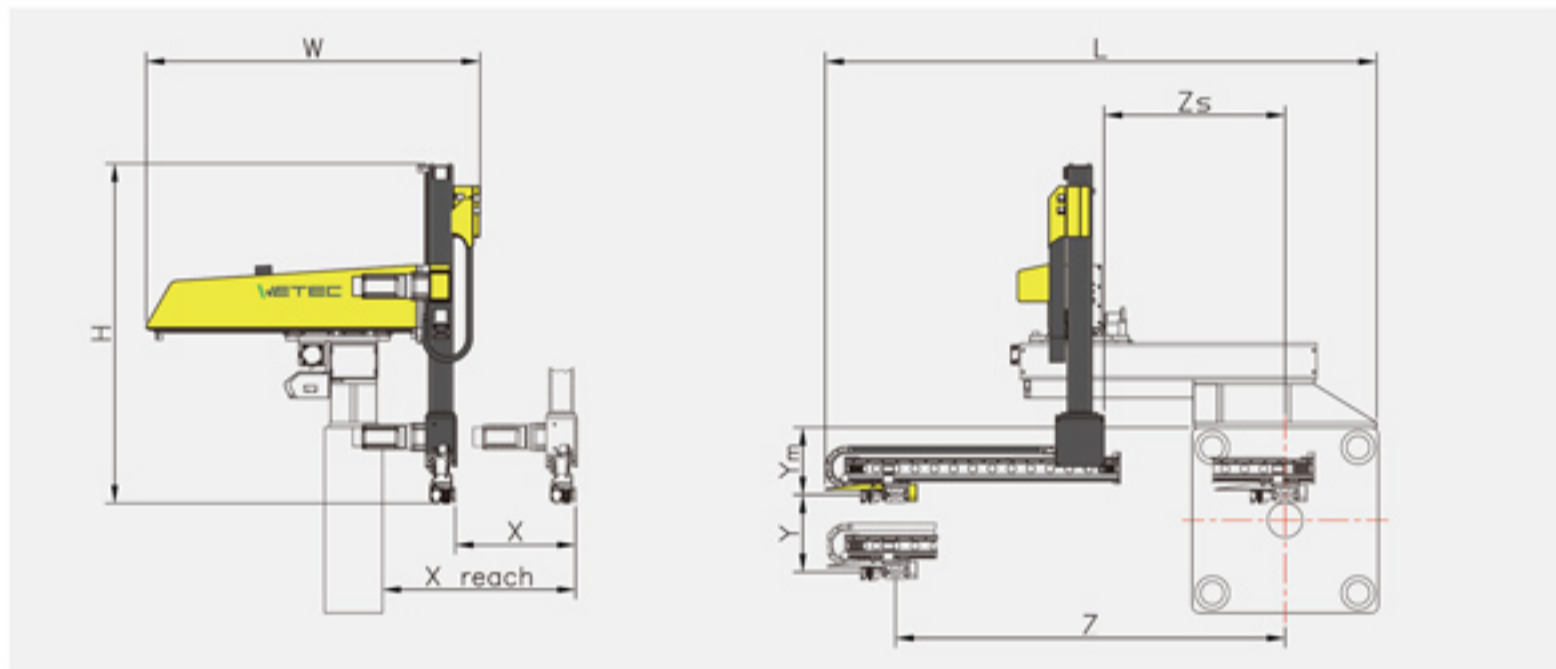
Aluminum profile with precision linear guide rail to get high performance.

Servo positioning control system to achieve high precision take out, Repeatability 0.05mm.

### Stability

The lowest vibration can be reached during high speed movement.

High precise take out to have better construction durability.



Robot	X	X reach	Y	Ym	Z	L	W	H	Zs	Payload (Kg)	Suitable I.M.M. (Ton)
W120	500	820	350	385	1350	2115	1385	1410	750	5	< 200
W140	500	820	350	385	1700	2290	1385	1410	750	5	200~450

Power Consumption : 1.3 Kw / hr  
Capacity : 220V 1phase 5.5 KVA  
Air Consumption : 0.8L / Cycle

The specifications are subject to change without notice.

**WeTechnology Automation Co., Ltd.**

No. 50, Hua Ya 1st. Rd., Gueishan,  
Taoyuan, Taiwan

☎ +886 3 397 9588 ✉ sales2@wetec.com.tw  
www.wetec.com.tw

**Wetec Europe Otomasyon Tic.Ltd.Şti.**

Barbaros Mh. Mor Sömbül Sk. Deluxia Palace D402,  
Ataşehir 34746, İstanbul, Turkey

☎ +90 216 9990146  
www.wetec.com.tr

**Wetec Automation India Pvt. Ltd.**

7, Raghav Industrial Park, S.P. Ring Road, Ramol,  
Ahmedabad, India

☎ +91 9426766674